

ifm electronic



Operating instructions  
Flow monitors

**efector 300<sup>®</sup>**

**SI6600**

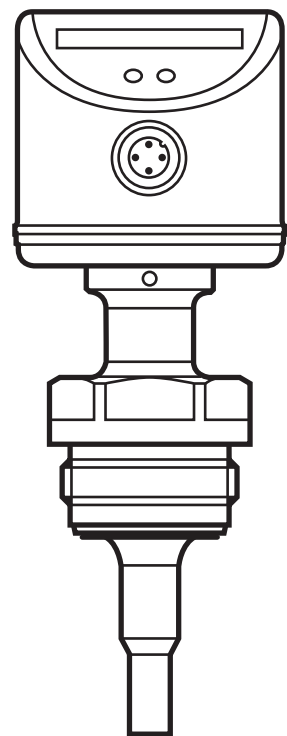
**SI6700**

**SI6800**

**UK**

01/2011

704680/02








# Contents

1 Preliminary note.....	3
1.1 Explanation of symbols.....	3
2 Safety instructions .....	3
3 Functions and features .....	4
3.1 Application area .....	4
3.2 Operating principle flow monitoring .....	4
4 Installation.....	4
4.1 Installation location .....	5
4.2 Sources of interference in the pipe system .....	6
4.3 Mounting operation.....	6
5 Electrical connection.....	7
6 Operating and display elements .....	7
7 Set-up and settings for water.....	8
7.1 Change the switch point (optional) .....	8
7.2 High flow adjustment (optional) .....	9
8 Additional settings (optional).....	9
8.1 Low flow adjustment .....	9
8.2 Configure the switching output .....	9
8.3 Restore the factory setting (reset) .....	10
8.4 Lock / unlock the unit.....	10
9 Error during adjustment .....	10
10 Operation.....	11
11 Maintenance .....	11
12 Scale drawing .....	12
13 Technical data.....	14

# 1 Preliminary note

## 1.1 Explanation of symbols

- ▶ Instruction
- > Reaction, result
- Cross-reference
-  Important note:  
Non-compliance can result in malfunctions or interference.
-  LED lights green
-  LED lights orange
-  LED lights red
-  LED flashes

UK

## 2 Safety instructions

- Please read the product description prior to set-up of the unit. Ensure that the product is suitable for your application without any restrictions.
- The unit conforms to the relevant regulations and EC directives.
- Improper or non-intended use may lead to malfunctions of the unit or to unwanted effects in your application.
- That is why installation, electrical connection, set-up, operation and maintenance of the unit must only be carried out by qualified personnel authorised by the machine operator.

For the scope of validity cULus: The device shall be supplied from an isolating transformer having a secondary Listed fuse rated as noted in the following table.

Overcurrent protection		
Control-circuit wire size		Maximum protective device rating Ampere
AWG	(mm <sup>2</sup> )	
26	(0.13)	1
24	(0.20)	2
22	(0.32)	3
20	(0.52)	5
18	(0.82)	7
16	(1.3)	10

## 3 Functions and features

### 3.1 Application area

The unit monitors the flow of liquid and gaseous media.

### 3.2 Operating principle flow monitoring

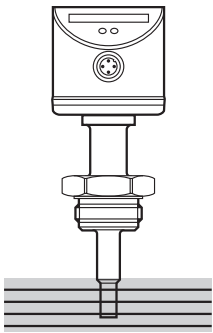
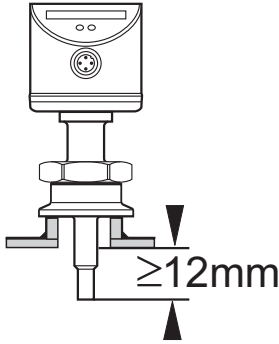
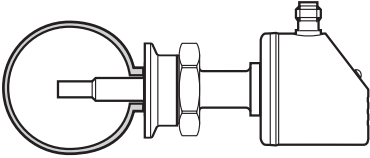
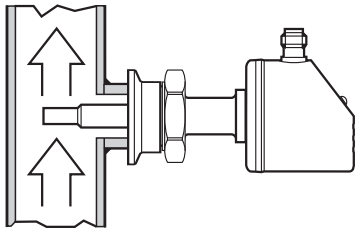
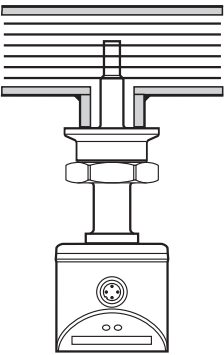
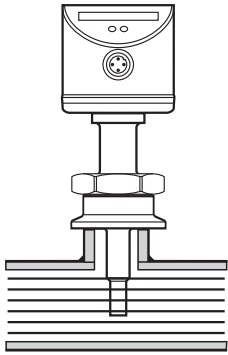
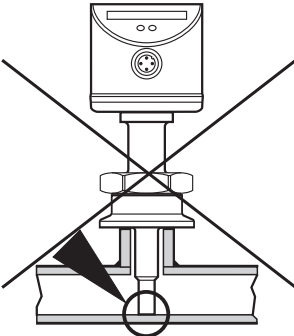
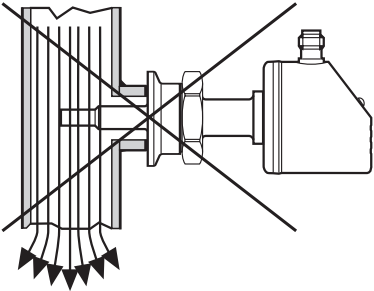
- The unit detects the flow speed to the calorimetric measuring principle and switches the output:
  - output closed if medium is flowing / output open if no medium is flowing.This applies to the unit on delivery: output = normally open. In case of need you can change the output to normally closed (→ 7.2). It then applies: output open if medium is flowing.
- If the flow speed increases, the switching status changes when the switch point is reached.
- If the flow speed falls again, the switching status changes if the value "SP minus hysteresis" is reached.  
The hysteresis changes with the flow speed and it is essentially influenced by the set monitoring range.  
It is 2...5 cm/s for the setting 5...100 cm/s (= factory setting), it increases with higher flow speeds.
- The typical response time of the unit is 1...10 s. It can be influenced by the setting of the switch point:
  - Low switch point = quick reaction with rising flow.
  - High switch point = quick reaction with falling flow.

## 4 Installation



- ▶ Ensure that the system is free of pressure during installation.
- ▶ Ensure that no media can leak at the mounting location during installation.

## 4.1 Installation location

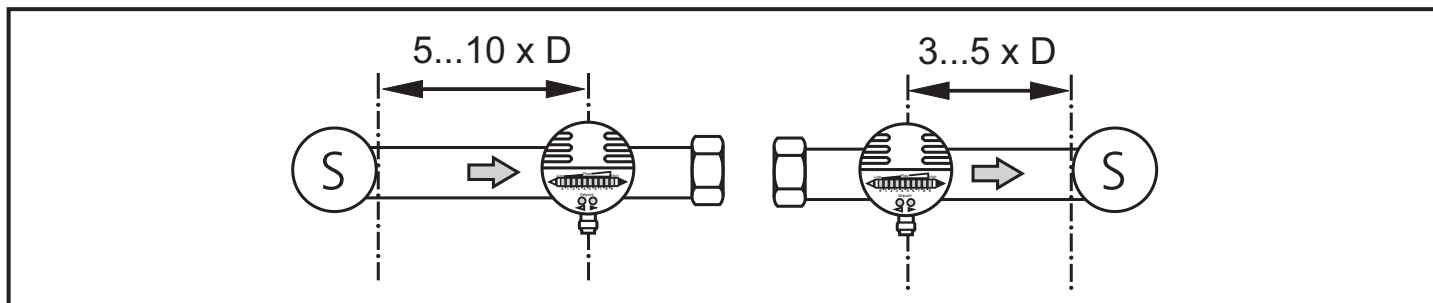
<p><b>General</b></p> <ul style="list-style-type: none"> <li>• The sensor tip is to be completely surrounded by the medium.</li> <li>• Insertion depth of the sensor: minimum 12 mm.</li> </ul>		
<p><b>Recommended</b></p> <ul style="list-style-type: none"> <li>• For horizontal pipes: mounting from the side.</li> <li>• For vertical pipes: mounting in the rising pipe.</li> </ul>		
<p><b>Conditional</b></p> <ul style="list-style-type: none"> <li>• Horizontal pipe /mounting from the bottom: if the pipe is free from build-up.</li> <li>• Horizontal pipe /mounting from the top: if the pipe is completely filled with medium.</li> </ul>		
<p><b>To avoid</b></p> <ul style="list-style-type: none"> <li>• The sensor tip must not be in contact with the pipe wall.</li> <li>• Do not mount in downpipes that are open at the bottom!</li> </ul>		

UK

## 4.2 Sources of interference in the pipe system

Components integrated in the pipes, bends, valves, reductions, etc. lead to turbulence of the medium. This affects the function of the unit.

Recommendation: Adhere to the distances between sensor and sources of interference:



D = pipe diameter; S = sources of interference

## 4.3 Mounting operation

The unit can be fixed to different process connections. Options are as follows:

<b>1</b>	<p><b>Installation using an adapter with sealing ring (order no. E332xx / E333xx)</b></p> <p>The adapters are supplied with an EPDM O-ring (order no. E30054). More sealing rings are available as accessories: FKM O-ring (order no. E30123); PEEK sealing ring (order no. E30124).</p> <p>Concerning installation → Installation instructions supplied with the adapter.</p>
<b>2</b>	<p><b>Installation using an adapter with metal-to-metal seal</b></p> <p>Order no. E337xx / E338xx</p> <p>Concerning installation → Installation instructions supplied with the adapter.</p>
<b>3</b>	<p><b>Installation using a welding adapter</b></p> <ul style="list-style-type: none"> <li>• Order no. E30122</li> <li>• Order no. E30130; adapter with leakage port</li> </ul> <p>The adapters are supplied with an EPDM O-ring (order no. E30054). More sealing rings are available as accessories: FKM O-ring (order no. E30123).</p> <p>Concerning installation → Installation instructions supplied with the adapter.</p>
<b>4</b>	<p><b>Installation to G 1 flange</b></p> <p>The sealing ring on the sensor is used as process seal.</p> <p>The upper sealing area on the process connection must be flush with the tapped hole and have a surface characteristic of min. Rz 6.3.</p> <ul style="list-style-type: none"> <li>▶ Grease the sensor thread with a suitable paste.</li> <li>▶ Insert the unit into the process connection.</li> <li>▶ Tighten it using a spanner. Tightening torque: 35 Nm.</li> </ul>

## Use in hygienic areas to EHEDG

- ▶ Make sure that the sensors are integrated into the system in accordance with EHEDG.

## 5 Electrical connection

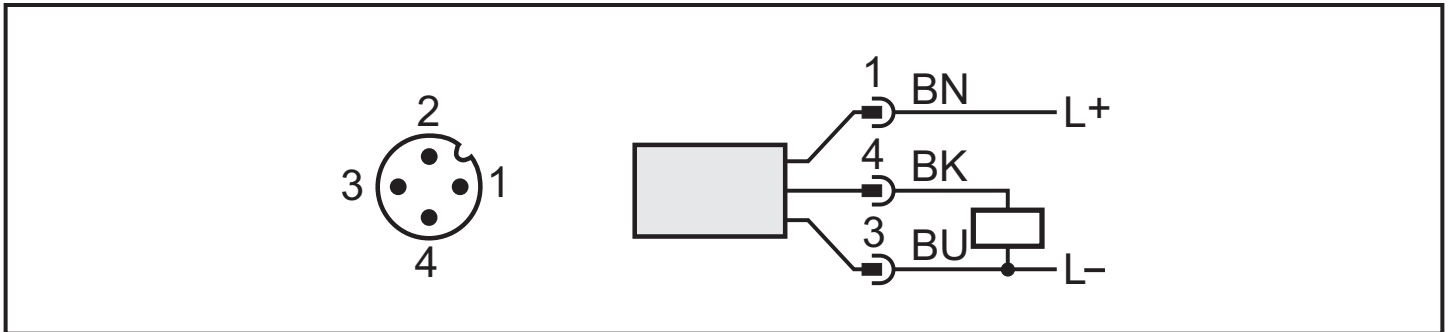


The unit must be connected by a qualified electrician.

The national and international regulations for the installation of electrical equipment must be adhered to.

Voltage supply to EN 50178, SELV, PELV.

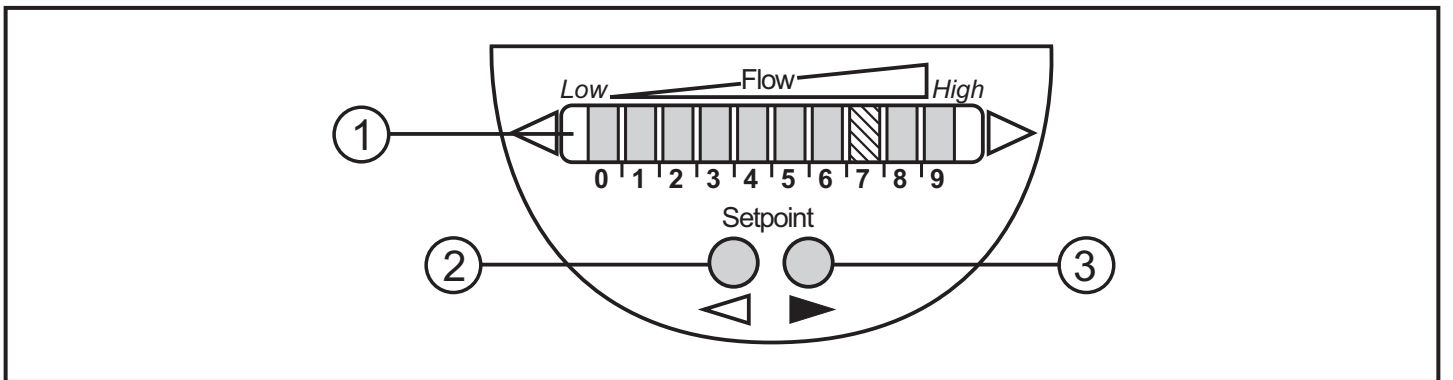
- ▶ Disconnect power.
- ▶ Connect the unit as follows:



Core colours of ifm sockets:

1 = BN (brown), 3 = BU (blue), 4 = BK (black)

## 6 Operating and display elements



### 1: Operation display

- The green LEDs indicate the current flow (the LEDs 0 to 9 represent the range between no flow and maximum flow).
- A lighting LED indicates the position of the switch point (orange = output closed, red = output open).

### 2, 3: Setting buttons for adjustment and configuration

# 7 Set-up and settings for water

(For media other than water → 8.1: Low flow adjustment).

- ▶ Switch on the supply voltage.
- > All LEDs light and go out again step by step. During this time the output is closed (if configured as normally open). The unit is in the operating mode.
- ▶ Let the normal flow circulate in the installation.
- ▶ Check the display and determine further actions.

<b>1</b>		<p>The factory setting is suitable for the application.</p> <ul style="list-style-type: none"> <li>▶ No further settings are required.</li> </ul>
<b>2</b>		<p>Your normal flow is below the representation range of the display.</p> <p>2 setting options:</p> <ul style="list-style-type: none"> <li>▶ Change the switch point (→ 7.1).</li> <li>▶ Carry out high flow adjustment (→ 7.2).</li> </ul>
<b>3</b>		<p>Your normal flow exceeds the representation range of the display (LED 9 flashes).</p> <ul style="list-style-type: none"> <li>▶ Carry out high flow adjustment (→ 7.2).</li> </ul>

You can restore the factory setting any time. (→ 8.3).

## 7.1 Change the switch point (optional)

For the factory setting the switch point is at LED 7. A change makes sense if:


- the display shows example 2.
- the flow fluctuates much or pulsates.
- if a faster response time of the unit is requested (low switch point = fast response with rising flow, high switch point = fast response with falling flow).
- ▶ Briefly press the pushbutton ◀ or ▶.
- > The switch point LED flashes.
- ▶ Press the pushbutton ◀ or ▶ as often as required. Each press of the pushbutton shifts the LED by one position in the indicated direction.

Note: If no pushbutton is pressed for 2 s, the unit returns to the operating mode with the newly set value.



## 7.2 High flow adjustment (optional)

The unit determines the existing flow as normal flow and adapts the display representation (all LEDs except the switch point LED light green).

- ▶ Let the normal flow circulate in the installation.
- ▶ Press the pushbutton  and keep it pressed.
- > LED 9 lights, after approx. 5 s it flashes.
- ▶ Release the pushbutton.

The unit is now adapted to your flow conditions. It passes into the operating mode, the display should now show example 1.

The adjustment failed if all LEDs are flashing red instead. Possible reasons / remedy → chapter 9.

Note: The adjustment affects the switch point: It is increased proportionally (maximum up to LED 7).


UK

## 8 Additional settings (optional)

### 8.1 Low flow adjustment

If the unit is used in media other than water, you should additionally adapt the unit to the minimum flow.


Note: The following adjustment must only be carried out after the high flow adjustment.

- ▶ Let the minimum flow circulate in the installation or ensure flow standstill.
- ▶ Press the pushbutton  and keep it pressed.
- > LED 0 lights, after approx. 5 s it flashes.
- ▶ Release the pushbutton. The unit adopts the new value and passes into the operating mode.

The adjustment failed if all LEDs are flashing red instead. Possible reasons / remedy → chapter 9.

### 8.2 Configure the switching output

The unit is delivered as normally open. In case of need you can change the output to normally closed:

- ▶ Press the pushbutton  for at least 15 s.
- > LED 0 lights, after approx. 5 s it flashes.
- > After 10 s the current setting is displayed: LEDs 5...9 light orange (= output normally open).
- > After approx. 15 s LEDs 0...4 flash orange.

- ▶ Release the pushbutton. The output is changed to normally closed operation. For a new changeover repeat the operation.

### 8.3 Restore the factory setting (reset)

- ▶ Press the pushbutton ▶ for at least 15 s.
  - > LED 9 lights, after approx. 5 s it flashes.
  - > After approx. 15 s LEDs 0...9 flash orange.
- ▶ Release the pushbutton. All settings are reset to the factory setting:
  - operating area: 5 ...100 cm/s for water
  - switch point: LED 7
  - output function: NO
  - unlocked.

### 8.4 Lock / unlock the unit

The unit can be locked electronically to prevent unintentional settings.

- ▶ Press both setting pushbuttons simultaneously for at least 10 s in the operating mode.
  - > The indication goes out, the unit locks or unlocks.

On delivery: unlocked.

## 9 Error during adjustment

If no adjustment is possible, all LEDs flash red. The unit then passes into the operating mode with unchanged values.



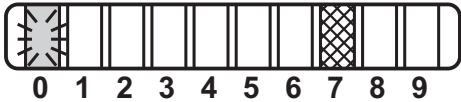
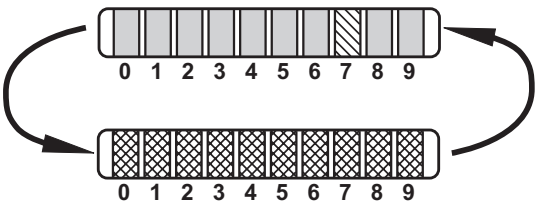
### Possible cause /aid:

Error during installation.	▶ Read chapter 4 Installation. Check whether all requirements have been met.
The difference between maximum flow and minimum flow is too small.	▶ Increase the flow difference and carry out the adjustment once again.
The sequence high flow /low flow adjustment was not adhered to.	▶ Carry out the two adjustment operations again in the right sequence.

## 10 Operation

After every power on all LEDs light and go out again step by step (during this time the output is closed if configured as normally open). The unit is then ready for operation.

In case of power failure or interruption all settings remain.

Operating indicators	
 <p>0 1 2 3 4 5 6 7 8 9</p>	<p>Green LED bar: Current flow within the representation range.            Indication of the switch point (SP):            - LED orange: output closed.            - LED red: output open.</p>
 <p>0 1 2 3 4 5 6 7 8 9</p>	<p>LED 9 flashes: current flow above the representation range.</p>
 <p>0 1 2 3 4 5 6 7 8 9</p>	<p>LED 0 flashes: current flow far below the representation range.</p>
Interference indicators	
 <p>0 1 2 3 4 5 6 7 8 9</p> <p>0 1 2 3 4 5 6 7 8 9</p>	<p>Short circuit at the switching output:            The operating indicator and red LEDs light alternately.            If the short circuit has been rectified, the unit immediately passes into the normal operating state.            The current operating state is displayed.</p>
<p>Display OFF            (no LED lights):</p>	<p>Operating voltage too low (&lt; 19 V) or failed.            Ensure a correct voltage supply.</p>

UK

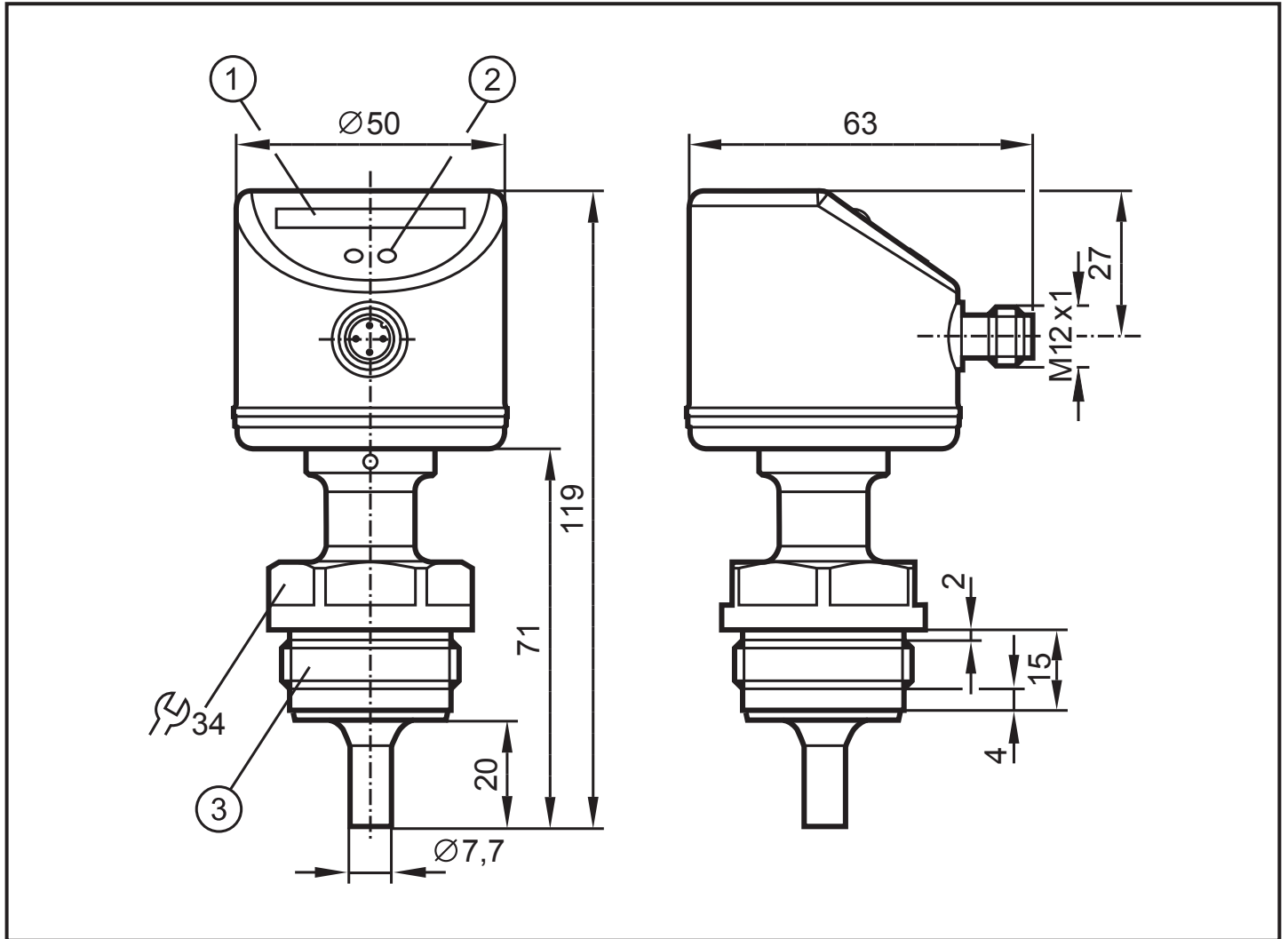
## 11 Maintenance

Recommended maintenance:

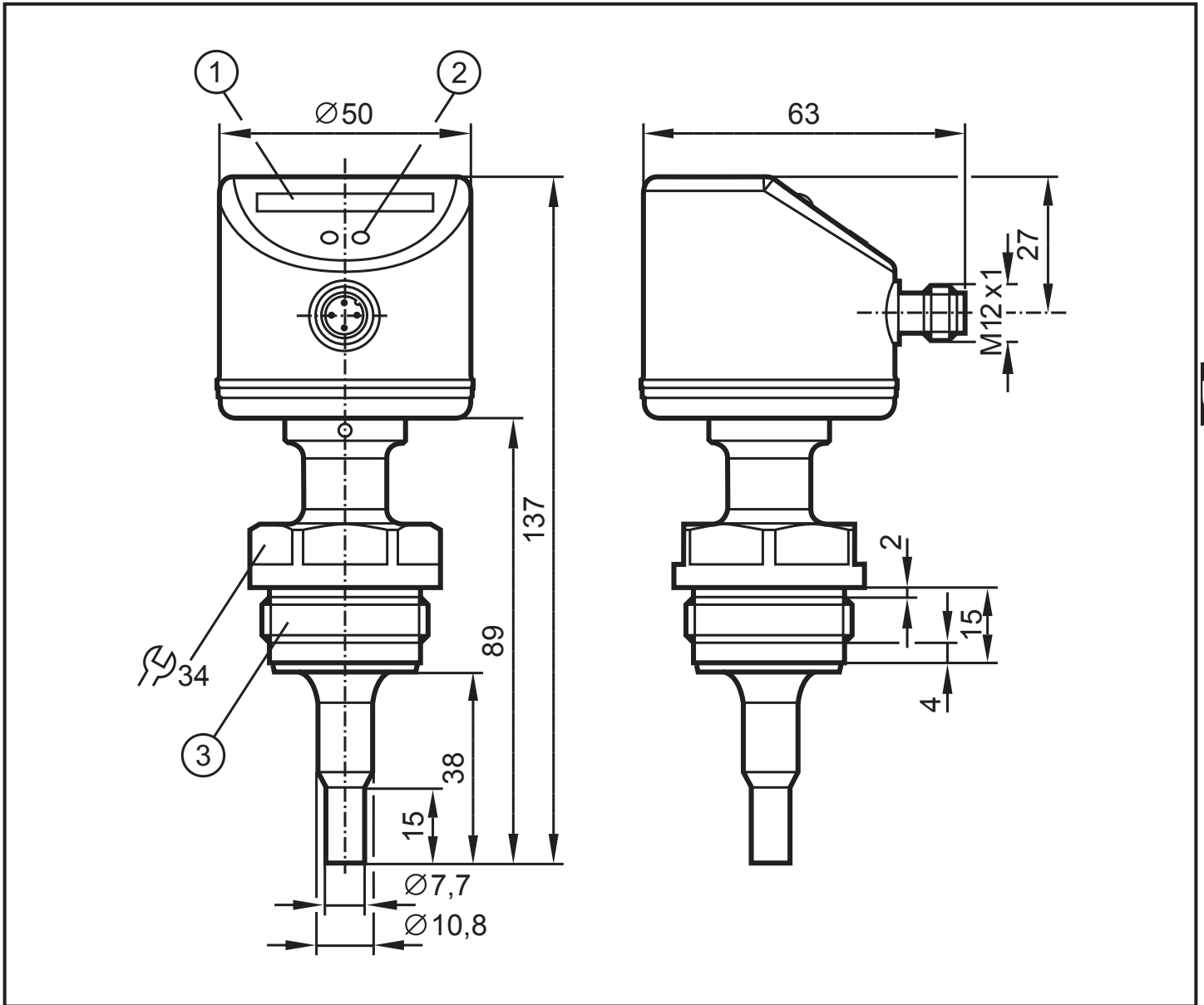
- ▶ Check the sensor tip for build-up from time to time.
- ▶ Clean it using a soft cloth. Stubborn build-up (e.g. lime) can be removed using a common vinegar cleaning agent.

# 12 Scale drawing

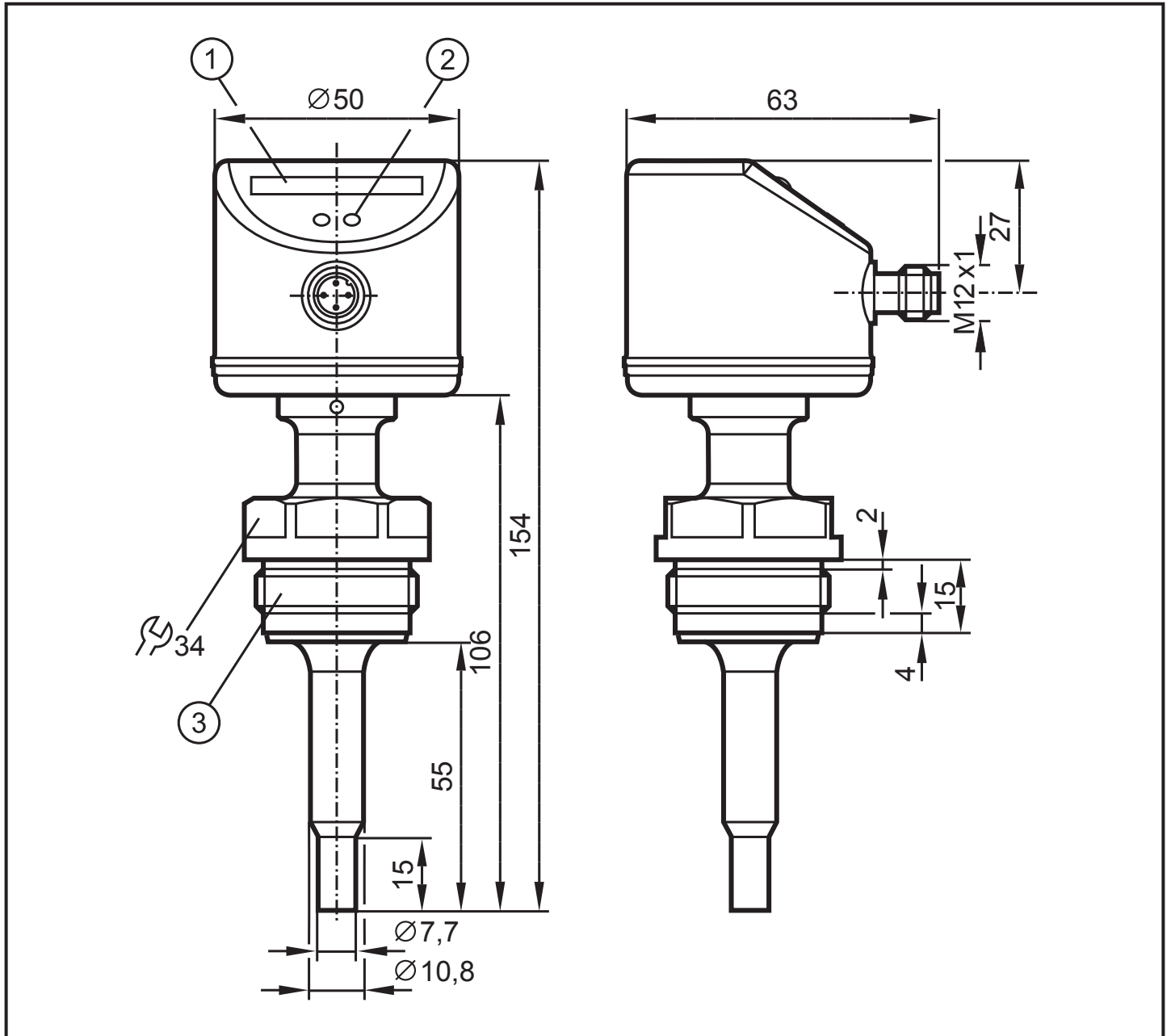
SI6600



- 1: LED display
- 2: setting pushbutton
- 3: G1/Aseptoflex Vario thread



- 1: LED display
- 2: setting pushbutton
- 3: G1/Aseptoflex Vario thread



- 1: LED display
- 2: setting pushbutton
- 3: G1/Aseptoflex Vario thread

### 13 Technical data

Application area.....	liquids and gases; hygienic systems
Operating voltage [V].....	19...36 DC <sup>1)</sup>
Current rating [mA].....	250
Short-circuit protection, pulsed; reverse polarity / overload protection	
Voltage drop [V].....	< 2.5
Current consumption [mA].....	< 60
Power-on delay time [s].....	10, optically indicated

<b>Liquids</b>	
Medium temperature [°C] .....	-25...95 / ...140 for SIP process
Setting range [cm/s].....	3...300
Greatest sensitivity [cm/s] .....	3...100
<b>Temperature gradient</b>	
- SI6600 [K/min] .....	150
- SI6700 [K/min] .....	300
- SI6200 [K/min] .....	300
<b>Gases</b>	
Medium temperature [°C] .....	-25...95 / ...140 for SIP process
Setting range [cm/s].....	200...3000
Greatest sensitivity [cm/s].....	200...800
Switch point accuracy [cm/s] .....	± 2...± 10 <sup>2)</sup>
Hysteresis [cm/s] .....	2...5 <sup>2)</sup>
Repeatability [cm/s] .....	1...5 <sup>2)</sup>
Temperature drift [cm/s x 1/K].....	0.1 <sup>3)</sup>
Response time [s].....	1 ... 10
Pressure resistance [bar].....	30
Operating temperature [°C] .....	-25...60
Protection rating .....	IP 67 / IP 69K
Protection class .....	III
Shock resistance [g] .....	50 (DIN / IEC 68-2-27, 11 ms)
Vibration resistance [g] .....	20 (DIN / IEC 68-2-6, 55-2000 Hz)
Housing materials.....	stainless steel 316L / 1.4404; PC (Makrolon); PBT-GF 20; EPDM/X (Santoprene); sealing: FPM
Materials (wetted parts).....	stainless steel 316L / 1.4435; surface characteristics: Ra < 0.4 / Rz 4
<b>EMC</b>	
EN 61000-4-2 ESD: .....	4 kV CD / 8 kV AD
EN 61000-4-3 HF radiated: .....	10 V/m
EN 61000-4-4 Burst: .....	2 kV
EN 61000-4-6 HF conducted: .....	10 V

1) to EN50178, SELV, PELV;  
 2) for water; 5...100 cm/s; 25°C (factory setting)  
 3) for water; 5...100 cm/s; 10...70°C  
 The sensor conforms to the standard EN 61000-6-2

More information at [www.ifm.com](http://www.ifm.com)