

HIGH PERFORMANCE BUTTERFLY VALVE HP 111



Wafer type butterfly valve in double-eccentric construction. Reliable sealing even with extreme temperature and pressure conditions.

TECHNICAL DATA

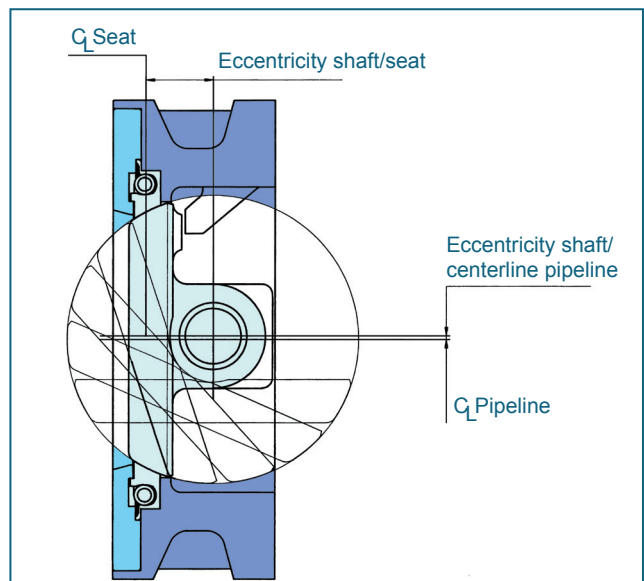
Nominal diameter:	DN 50 - DN 1200 Metallically up to DN 800 max. PN 16
Face-to-face:	EN 558 Series 20, optional Series 25 ISO 5752 Series 20 API 609 Table 1
Flange accommodation:	EN 1092 PN 10/16/25/40 (to DN 150) EN 1092 PN 10/16/25 (DN 200-DN 1200) ASME Class 150 AS 4087 PN16/21
Flange Surface Design:	EN 1092, Form A/B, ASME RF,FF
Top flange:	EN ISO 5211
Marking:	EN 19
Tightness check	Independent of flow-direction
- for R-PTFE seat:	EN 12266 (Leakage rate A)
- for Inconel seat:	EN 12266 (Leakage rate B) ISO 5208, Category 3
Temperature range:	-60°C to +600°C
Differential pressure:	≤ DN150 max. 40 bar > DN150 max. 25 bar
Vacuum:	up to 1mbar absolute

FEATURES

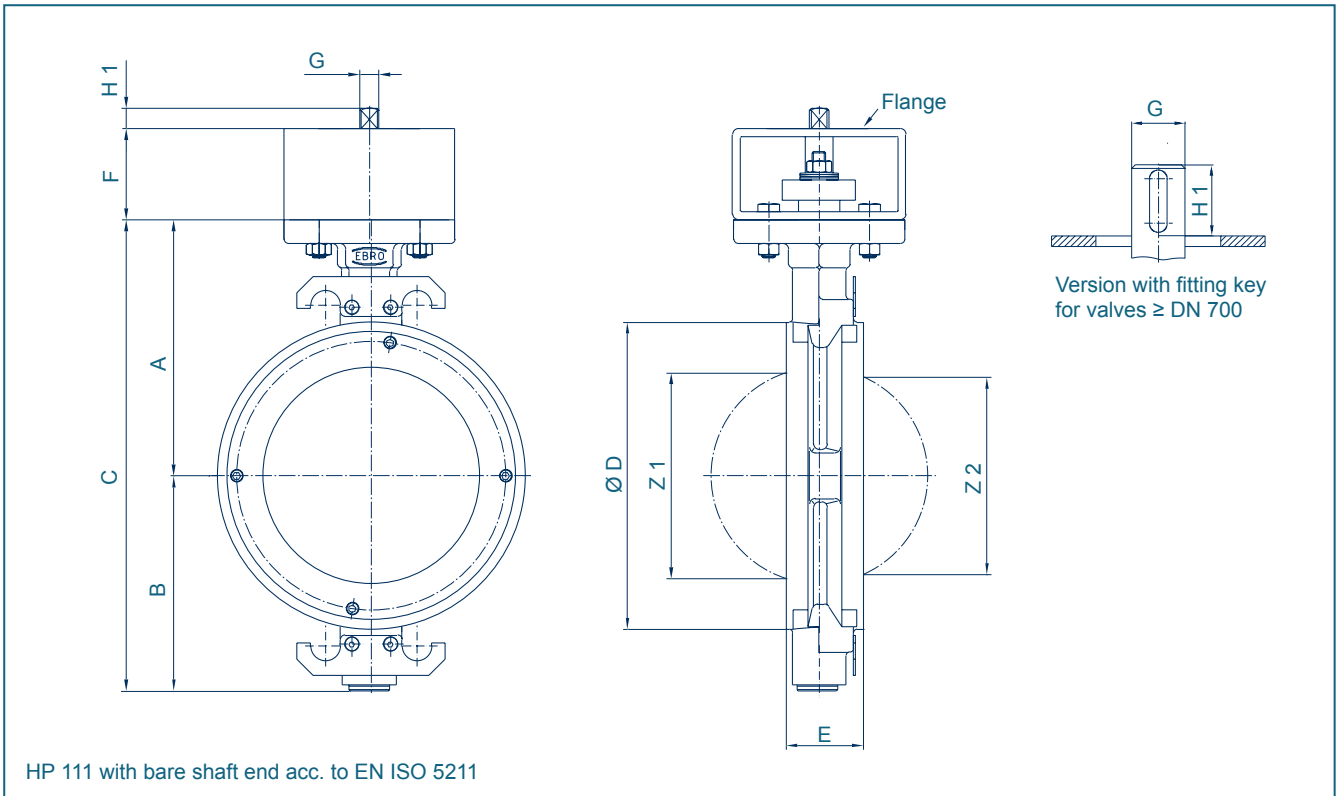
- Shut-off and control of gaseous and liquid media
- Disc has double-eccentric bearing
- Centering pieces can be used as installation aid
- Two seat ring systems available: R-PTFE and Inconel
- Seal variants:
 - soft-sealing (R-PTFE) max. 230°C
 - metallic sealing (Inconel) max. 600°C
 - fire safe (PTFE/Inconel) max. 200°C
- Maintenance-free
- Long service life, even at high switching frequencies
- Fire safe BS 6755 part 2, API 607 5th Edition

GENERAL APPLICATIONS

- Chemical and petrochemical industry
- Hot water and steam systems
- District heat supply
- Vacuum systems
- Shipbuilding
- Gas process technology
- Heavy duty services



HIGH PERFORMANCE BUTTERFLY VALVE HP 111

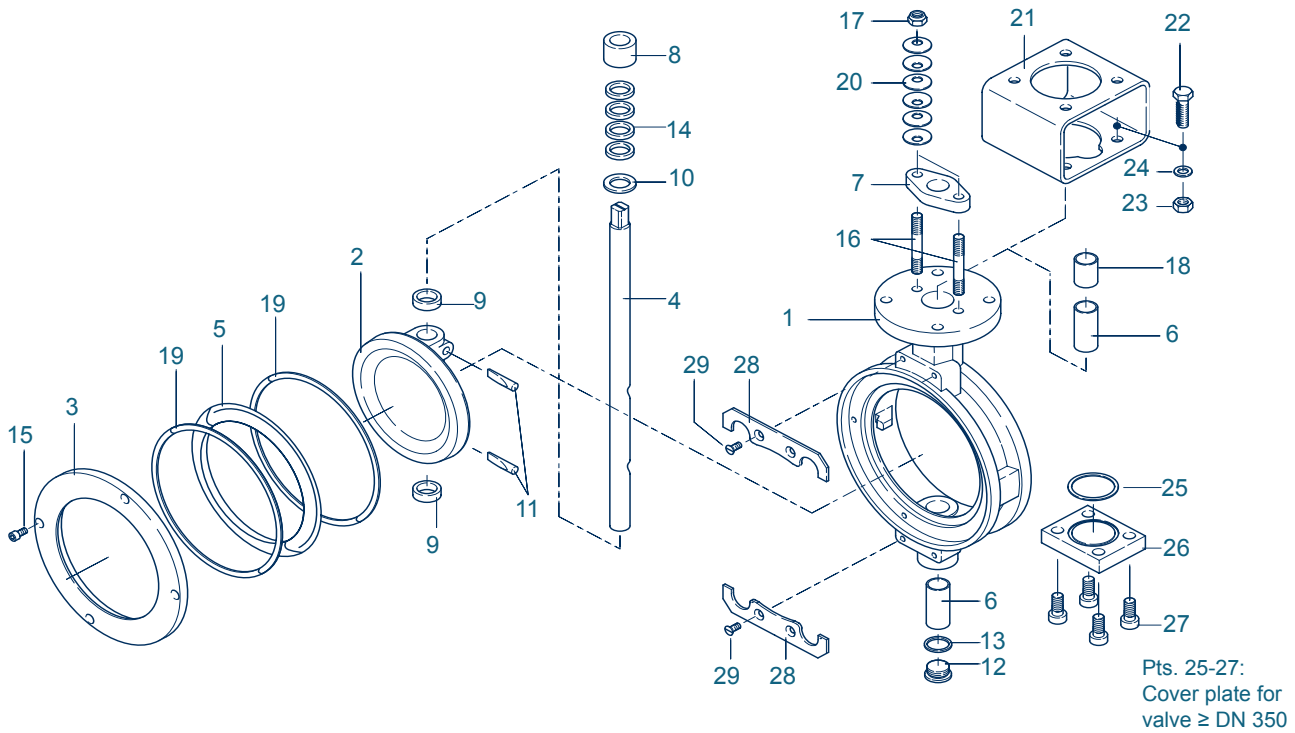


DN [mm]	Size [in]	Dimensions [mm]											min. pipe-Ø	Weight [kg]
		A	B	C	D	E	F	Flange	G	H1	Z1	Z2		
50-65	2-2½	133	99	232	112	43	80	F05/F07	12	15	41	-	51	7
80	3	142	113	255	138	46	80	F05/F07	12	15	71	54	80	8
100	4	158	124	282	160	52	80	F05/F07	12	15	94	82	103	9
125	5	181	140	321	192	56	80	F07/F10	14	18	115	105	124	13
150	6	195	154	349	216	56	80	F07/F10	14	18	144	135	151	15
200	8	225	191	416	270	60	80	F10/F12	17	18	187	181	196	23
250	10	268	222	490	326	68	80	F10/F12	22	23	235	229	245	34
300	12	300	255	555	378	78	90	F12	27	28	281	276	296	48
350	14	345	304	649	438	92	100	F14	27	28	323	316	334	95
400	16	375	339	714	488	102	100	F16	36	36	372	364	385	115
450	18	412	340	752	530	114	120	F16	36	36	427	427	438	141
500	20	425	399	824	593	127	120	F16	46	46	469	466	484	186
550	22	456	405	861	635	154	200	F25	46	46	526	526	540	236
600	24	490	468	958	692	154	200	F25	55	55	544	542	560	310
700	28	554	522	1076	820	165	200	F25	80	130	673	659	678	430
750	30	569	535	1104	857	965	165	200	F30	80	130	711	-	510
800	32	605	566	1171	902	190	200	F30	90	130	748	736	776	551
900	36	660	637	1297	1006	204	200	F30	100	145	847	833	876	732
1000	40	715	687	1402	1112	216	200	F30	100	145	944	935	975	802
1200	48	815	800	1615	1328		200	F35	110	185	1139	1135	1175	1300

Subject to change without notice

HIGH PERFORMANCE BUTTERFLY VALVE HP 111

MATERIAL SPECIFICATION AND PARTS LIST






Pt.	Description	Material	Material No.	ASTM	Pt.	Description	Material	Material No.	ASTM
1	Body				14	Shaft seal			
	Carbon Steel	GS-C25N	1.0619	WCB		PTFE			
						Graphite			
2	Disc				15	Hex.-socket screw			
	Stainless Steel	G-X5CrNiMo19-11-2	1.4408	CF8M		Stainless Steel	A4-70	1.4401	B8M
3	Clamping ring				16	Threaded pin			
	Stainless Steel	G-X5CrNiMo19-11-2	1.4408	CF8M		Stainless Steel	A2-70	1.4301	B 8
					17	Hex. nut			
	Stainless Steel	X2CrNiMo17-12-2	1.4404	316 L		Stainless Steel	A 2	1.4301	8
	Steel	St37-2	1.0037		18	Spacer sleeve			
4	Shaft					Stainless Steel	X6CrNiMoTi17-12-2	1.4971	316 Ti
5	Seat ring				19	Graphite seal (for metal seat)			
	R-PTFE	PTFE-Compound				Graphite			
	Inconel	Inconel 625				20	Belleville spr. washer		
FireSafe	PTFE/Inconel 625			Stainless Steel	X10CrNi18-8		1.4310	301 Ti	
6	Shaft bearing				21	Bracket			
	Stainless Steel	X6CrNiMoTi17-12-2	1.4571 nitrite	316 Ti		Steel	St37-2 galvanized	1.0037	283-C
7	Gland flange				22	Hex. bolt			
	Stainless Steel	X5CrNi18-10	1.4301	304		Steel	St galvanized		CS
					23	Hex. nut			
	Stainless Steel	G-X5CrNiMo19-11-2	1.4408	CF8M		Steel	St galvanized		CS
8	Thrust collar				24	Washer			
	Stainless Steel	X5CrNi18-10	1.4301	304		Steel	St galvanized		CS
9	Bearing ring				25	Seal			
	Stainless Steel	X6CrNiMoTi17-12-2	1.4571 chr-pld	316 Ti		Graphite			
10	Suppor. washer				26	Cover plate			
	Stainless Steel	X6CrNiMoTi17-12-2	1.4571	316 Ti		Steel	St37-2 galvanized	1.0037	283-C
11	Taper pin					Stainless Steel	G-X5CrNiMo19-11-2	1.4408	CF8M
	Stainless Steel	X4CrNiMo16-5-1	1.4418		27	Hex.-socket screw			
12	Plug screw DIN 908					Stainless Steel	A2-70	1.4301	B 8
	Stainless Steel	G-X5CrNiMo19-11-2	1.4408	CF8M	28	Centering piece			
13	Seal					Stainless Steel	X6CrNiMoTi17-12-2	1.4571	316 Ti
	PTFE				29	Countersunk screw			
Graphite				Stainless Steel		A 2	1.4301	SS	
									Other materials upon request

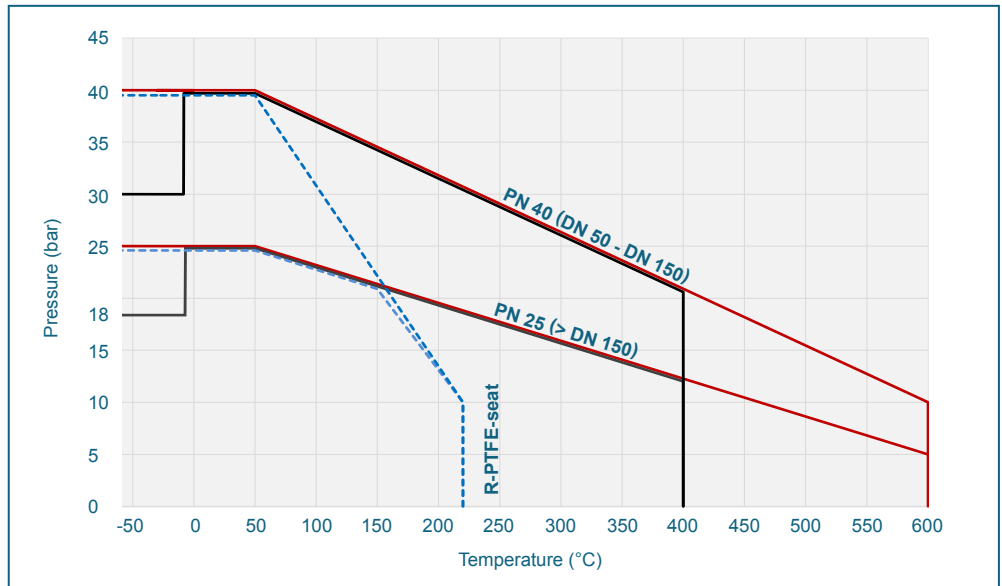
Subject to change without notice

HIGH PERFORMANCE BUTTERFLY VALVE HP 111

PRESSURE/TEMPERATURE DIAGRAM

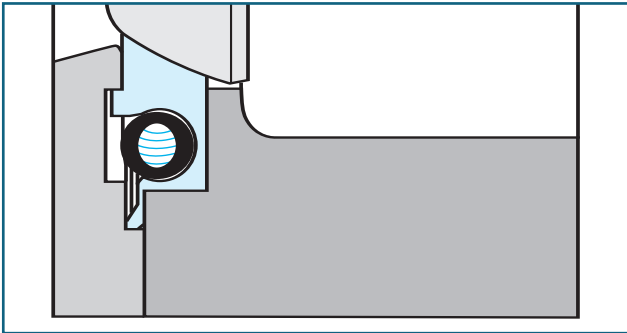
-  Pressure control line for 1.0619 body material and metal seat
-  Pressure control line for 1.4408 body material and metal seat
-  Pressure control line for R-PTFE

The diagram illustrates the performance of the standard version of our valve type HP. Valves for higher pressure or deviating temperature are available upon request.



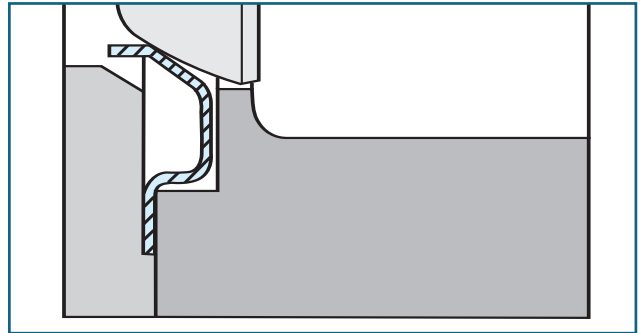
R-PTFE SEAT

The elasticity of the seat ring guarantees sealing according to EN 12266, Leakage Rate A (tight): Leak test with air. The constant test pressure corresponds to the permissible working pressure at 20 °C, not exceeding 6 bar.



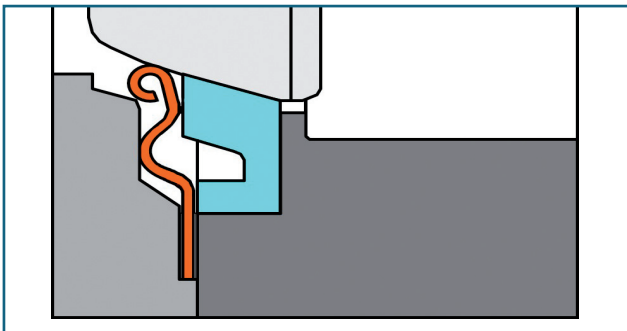
INCONEL

The seat ring made of Inconel and is extremely temperaturestable. Tightness according to EN 12266 Leakage Rate B (tight): Testing conditions corresponding to EN 12266, Leakage Rate B, but test media water.



FIRE SAFE SEAT

The combination of a PTFE and an Inconel seat ensures the sealing acc. to EN 12266 (Leakage Rate A) and a metal sealing acc. to API 607 5th edition after heat impact.



QUALITY FEATURES

HIGH PERFORMANCE VALVE HP 111

STRAIGHT THROUGH SHAFT

ensures maximum bending strength.

MAINTENANCE-FREE BEARING

For all nominal diameters maintenance-free, overlong corrosion and temperature-resistant bearings are used for exact centring of the valve discs.

FORCE-LOCKED CONNECTION

between disc and shaft. Low shear stresses thanks to tangentially arranged tapered pins.

R-PTFE SEAT RING

The R-PTFE seat ring guarantees absolute tightness and compensates for wear. The seat ring can be replaced without disassembling the shaft and valve disc.

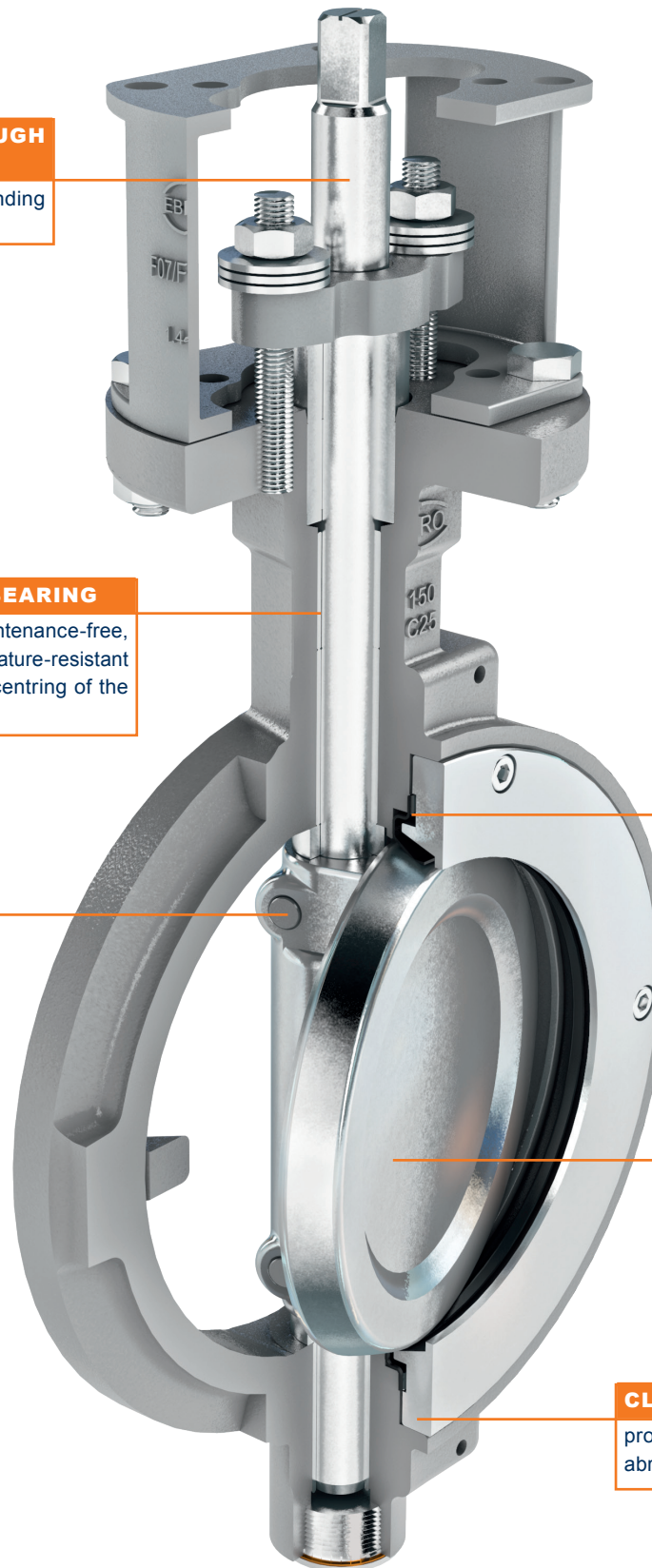
Alternative: Inconel or Fire-safe

VALVE DISC

The valve disc has a double eccentric bearing design, resulting in low torques and low wear. All sealing surfaces are machined.

CLAMPING RING

protects the seat ring from abrasion and erosion.



HIGH PERFORMANCE BUTTERFLY VALVE HP 111

TORQUE

- The values specified are based on the initial breakaway torque. (disc disengages from seat, torque then drops)

DN [mm]	Size [in]	Operating pressure							
		10 [bar]		16 [bar]		25 [bar]		40 [bar]	
		R-PTFE	Inconel	R-PTFE	Inconel	R-PTFE	Inconel	R-PTFE	Inconel
50-65	2-2½	27	35	28	42	30	58	31	66
80	3	28	55	30	65	34	90	38	100
100	4	51	90	61	100	80	120	93	140
125	5	63	150	83	172	95	220	125	285
150	6	125	170	136	220	168	300	220	360
200	8	205	350	260	430	280	505	-	-
250	10	485	505	550	620	600	860	-	-
300	12	584	740	700	970	855	1280	-	-
350	14	740	815	930	1050	1200	1370	-	-
400	16	1050	1530	1640	2240	2460	2900	-	-
450	18	1150	1700	1750	2500	2700	3500	-	-
500	20	1210	2010	1800	2760	2800	4260	-	-
550	22	3500	3750	4430	4550	6010	6800	-	-
600	24	4000	4500	4600	5740	6200	8080	-	-
700	28	5300	6000	6100	6800	8100	-	-	-
800	32	6400	8000	7400	9500	9800	-	-	-
900	36	7800	-	9000	-	12000	-	-	-
1000	40	9800	-	11300	-	15000	-	-	-
1200	48	14300	-	16500	-	22000	-	-	-

All values in Nm

K_V-VALUES

- The K_V-value [m³ per hour] is the flow of water at a temperature of 5°C to 30°C (41°F to 86°F) at Δp of 1 bar

- The K_V-values specified are based on tests carried out by the Delfter Hydraulics Laboratories, the Netherlands

- Permissible velocity of flow
V_{max} 4,5 m/s for liquids,
V_{max} 70 m/s for gases

- The throttle function is linear at an angle 30° to 70°

- Avoid cavitation!

For further values, please contact our engineers.

DN [mm]	Size [in]	Opening angle α°							
		20°	30°	40°	50°	60°	70°	80°	90°
50-65	2-2½	1,3	6	15	18	19	21	22	23
80	3	7	30	50	68	82	97	113	115
100	4	22	60	97	119	164	199	223	251
125	5	45	100	152	195	256	346	452	493
150	6	63	109	162	250	391	588	814	845
200	8	96	168	301	509	742	1107	1581	1747
250	10	264	458	682	980	1421	2083	2882	2889
300	12	397	625	956	1368	1938	2778	3794	3940
350	14	460	720	1100	1650	2500	3400	4800	5400
400	16	550	870	1250	2000	3200	4800	6800	8080
450	18	730	1200	1800	3100	4600	6400	8400	10500
500	20	920	1600	2600	4100	6000	8500	12100	12800
550	22	1090	1950	3100	4600	7500	10200	14700	15300
600	24	1370	2250	3780	4950	9000	12500	17100	18500
700	28	1999	3182	4764	7738	11451	16283	22071	25000
800	32	2795	4450	6661	10821	16014	22770	30864	34960
900	36	3590	5715	8555	13898	20567	29243	39640	44900
1000	40	4677	7447	11147	18107	26796	38101	51646	58500
1200	48	7188	11444	17130	27826	41179	58552	79367	89900

Subject to change without notice